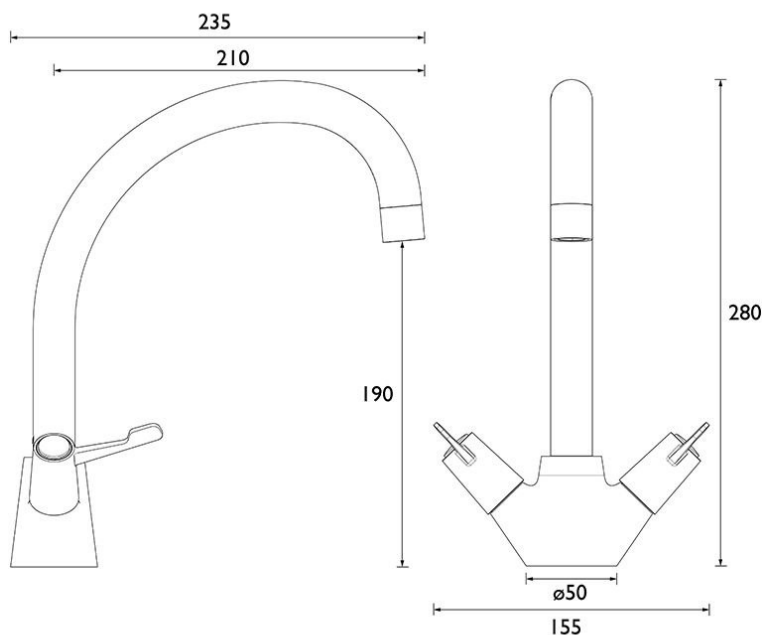


Lever Operated Monobloc Mixer



Product Code: 2LMMT

The monobloc mixer tap has separate hot and cold levers to control the water flow, and a swivel water spout. Manufactured from chrome plated brass for strength and durability.

The 3" levers make operation easy by hand or wrist whilst the swivel spout can be moved between sink bowls, or out of the way when not in use.

Supplied with hot and cold 15mm copper inlet tails for areas where flexible connectors are not appropriate, and a metal back nut for a secure fixing.

Delivery

Typically 1 to 2 working days

Tech Spec

3-inch (77mm) chrome plated metal levers

Quarter turn ceramic disc valves

Copper tails

Metal back nut

WRAS approved

1 year's manufacturer's warranty against defects

35mm tap hole required

**All pictures shown are for illustration purpose only and may be subject to change without notice. Actual product may vary due to product enhancement.

All dimensions shown are for guidance only and may be subject to change or alteration without notice. All items manufactured or purchased separately from a third party to fit our products should be checked against the actual dimensions of the physical product before purchase. We will not be liable for third party costs and consequential loss associated with the items not fitting third party components.**