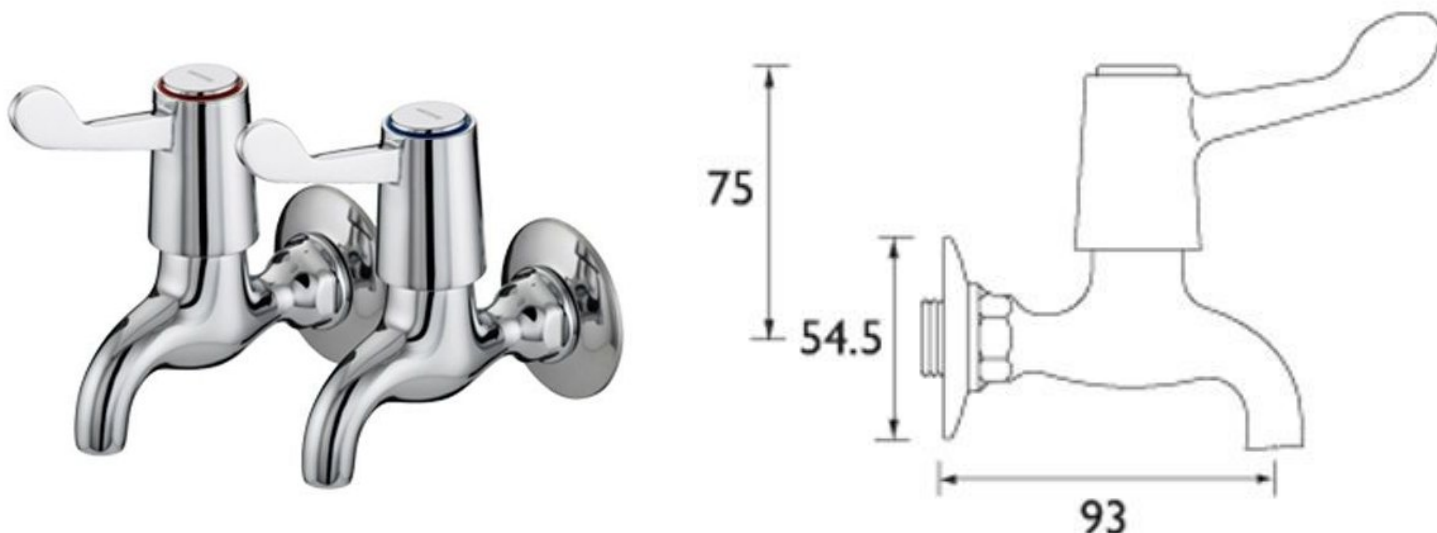


## Lever Operated Bib Taps



Product Code: LBIB

Chrome plated lever operated wall mounted bib taps. These are supplied in pairs, have 3-inch chrome plated metal levers with chrome plated brass bodies. The lever wall mounted bib taps offer a simply operated tap which is ideal if your hands are dirty, wet or slippery, or you find cross head taps too hard to operate. Popular with school site managers for use with cleaners sinks and janitorial units.

### Delivery

Typically 1 to 2 working days

### Tech Spec

Wall mounted taps  
3-inch (77mm) chrome plated metal levers  
Chrome plated brass body  
Quarter turn ceramic disc valves  
½ inch valve and inlet  
Removable round wall plate  
WRAS approved  
1 year's manufacturer's warranty against defects  
Available with 6-inch (152mm) metal levers

### Related products

We have a full range of [wall mounted bib taps](#). We can also supply [wall plate elbows](#) to convert the taps for exposed water supply.

\*\*All pictures shown are for illustration purpose only and may be subject to change without notice. Actual product may vary due to product enhancement. All dimensions shown are for guidance only and may be subject to change or alteration without notice. All items manufactured or purchased separately from a third party to fit our products should be checked against the actual dimensions of the physical product before purchase. We will not be liable for third party costs and consequential loss associated with the items not fitting third party components.\*\*