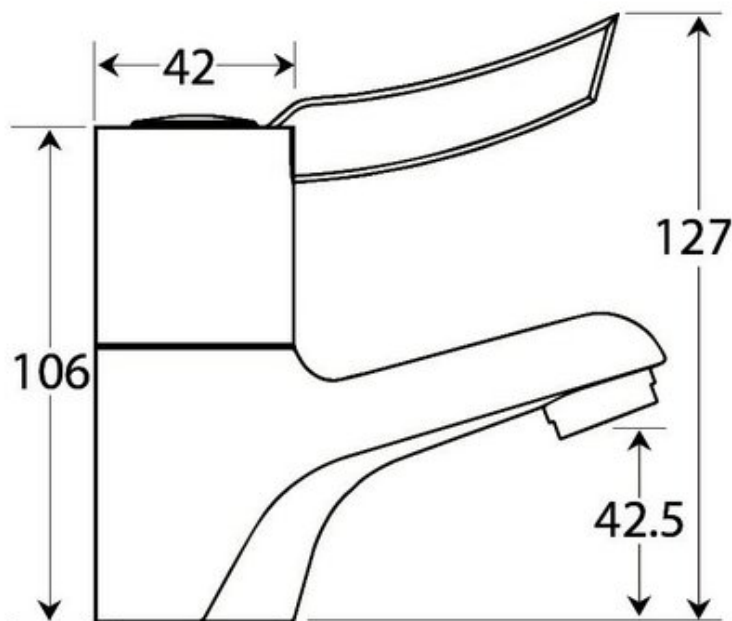


Sequential Lever Operated Monobloc Mixer Tap



Product Code: LMMT

Chrome plated sequential mono bloc mixer tap with lever operation. The mixer tap has a fixed spout with a chrome plated brass body, and chrome plated lever. The sequential lever rotates through 180 degrees increasing temperature from cold to hot, making it ideal for less abled and younger users.

The tap has a ceramic disc valve making it very robust and trouble free, with hot and cold 15mm flexible water supply pipes to aid installation. The lever mixer tap is the ideal solution to supply pre-mixed water to [school trough sinks](#) where hands should be washed under running warm water.

Delivery

Typically 1 to 2 working days

Tech Spec

35mm tap hole required
Max Working Pressure: 6 Bar
Min Working Pressure: 0.2 Bar
Recommended Operating Range: 2 to 5 Bar
Flow rate at 1 Bar: 7 litres per minute
Inlet Connections: 1/2" flexible tail
WRAS approved

****All pictures shown are for illustration purpose only and may be subject to change without notice. Actual product may vary due to product enhancement. All dimensions shown are for guidance only and may be subject to change or alteration without notice. All items manufactured or purchased separately from a third party to fit our products should be checked against the actual dimensions of the physical product before purchase. We will not be liable for third party costs and consequential loss associated with the items not fitting third party components.****