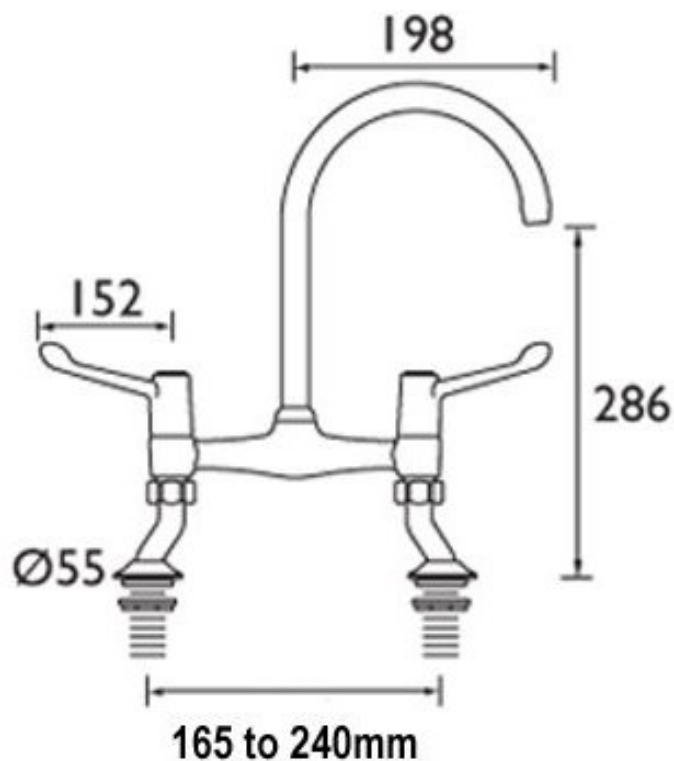


Bridge Deck Lever Sink Mixer



Product Code: BRDLT

The deck mounted bridge lever mixer tap fits directly onto the sink or basin and is designed for areas requiring a high hygiene level such as commercial school kitchens, hospitals and healthcare applications.

The 6 inch levers are easy to use and the base is adjustable to suit tap holes between 165mm and 240mm centres.

Delivery

Typically 1 to 2 working days

Tech Spec

6-inch lever operated bridge sink mixer tap
Deck mounted model
Chrome plated brass
Quarter turn ½ inch ceramic disc valves
Metal back nuts
1 year's manufacturer's warranty
2 x 22mm tap holes required

Related products

The bridge mixer tap is also available as a [wall mounted model](#).

****All pictures shown are for illustration purpose only and may be subject to change without notice. Actual product may vary due to product enhancement. All dimensions shown are for guidance only and may be subject to change or alteration without notice. All items manufactured or purchased separately from a third party to fit our products should be checked against the actual dimensions of the physical product before purchase. We will not be liable for third party costs and consequential loss associated with the items not fitting third party components.****