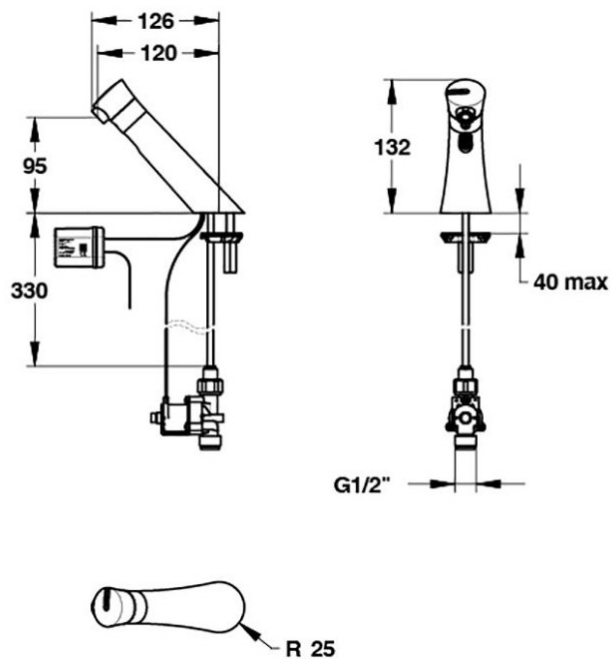


## Angled Sensor Tap - Mains



Product Code: AST-M

Infrared angled sensor operated basin tap with timed flow. The angled sensor tap has a sensor area close to the tap to prevent unwanted activation from reflections and has a time flow function to help prevent the tap keep turning off and on when washing hands leave the sensor area.

### Delivery

From stock typically 1 to 2 working days

### Tech Spec

- Sensor area set close to tap to prevent problems with reflections triggering taps
- Water set to run for 7 seconds after activation to solve problem of sensor taps turning on and off during operation
- Chrome plated brass body
- 1.9 litre per minute limited flow rate
- High quality anti limescale aerator
- Single supply for cold or premixed water
- Mains supply 240VAC to 7VDC transformer in IP65 waterproof case
- Anti overflow security run time set to 30 seconds
- Hygiene autoflush function set to 30 seconds 24 hours after last use
- Tap hole size 27 to 40mm
- WRAS approved
- CE marked
- 10 year warranty

### Water Pressure

Min operating pressure required 1 Bar  
 Max static water pressure 5 Bar.

### Flow Rates

Pressure (bar)	1	2	3	5
Flow rate (l/min)	1.4	1.6	1.9	1.9

### Related Products

[Battery supply model](#)

[TMV3 mixing valve](#) (regulations state these should be fitted close to the tap and ideally one per tap)

## **Warranty**

Warranty is 10 years from supply and is limited to replacement parts or a complete replacement tap. Water filters / Y strainers will need to have been fitted to comply with warranty. Diagnosis and fault finding will need to be undertaken over the phone with the manufacturers before replacement parts or complete taps are supplied. Warranty is strictly limited to parts / replacements and does not cover labour, time or any other consequential charges.

**\*\*All pictures shown are for illustration purpose only and may be subject to change without notice. Actual product may vary due to product enhancement.**

All dimensions shown are for guidance only and may be subject to change or alteration without notice. All items manufactured or purchased separately from a third party to fit our products should be checked against the actual dimensions of the physical product before purchase. We will not be liable for third party costs and consequential loss associated with the items not fitting third party components.\*\*