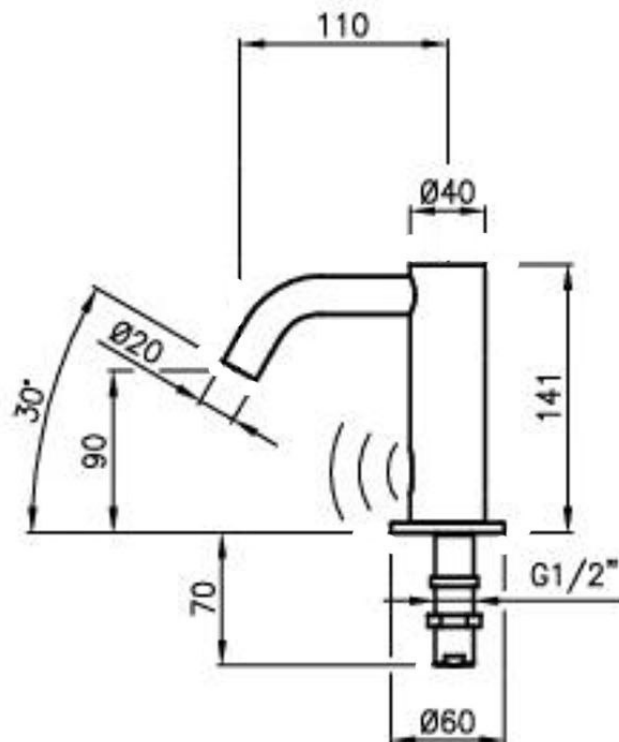


Battery Operated Sensor Tap



Product Code: BST

This battery operated sensor tap is easy to install and maintain and offers hands free no touch operation to prevent the spread of germs.

Delivery

From stock typically 1 to 2 working days

Tech Spec

Infra red sensor operated basin tap
Touchless operation for hygienic hand washing
Chrome plated brass body
Downward angled spout to reduce water retention
Forward facing sensor window
3 second shut off when hands removed
13 second security shut off - sensor needs to be re-triggered after 13 seconds continuous use to prevent water waste
Single inlet for cold or pre-mixed water
WRAS approved
1 year manufacturers warranty against defects
35mm tap hole required
Supplied with solenoid valve and battery pack (no batteries - 4 x 1.5v AA batteries required)
Recommended to use lithium batteries for long lasting proper operation
Inline Y strainer or filter should be used to protect the solenoid from water borne debris

Specification

Minimum pressure required 0.5 Bar
Max water pressure 6 Bar
Max temperature 80 degrees C
Standard closing time 3 seconds
Spout height 90mm
Spout reach 110mm

**All pictures shown are for illustration purpose only and may be subject to change without notice. Actual product may vary due to product enhancement.
All dimensions shown are for guidance only and may be subject to change or alteration without notice. All items manufactured or purchased separately from a third party to fit our products should be checked against the actual dimensions of the physical product before purchase. We will not be liable for third party costs and consequential loss associated with the items not fitting third party components.**