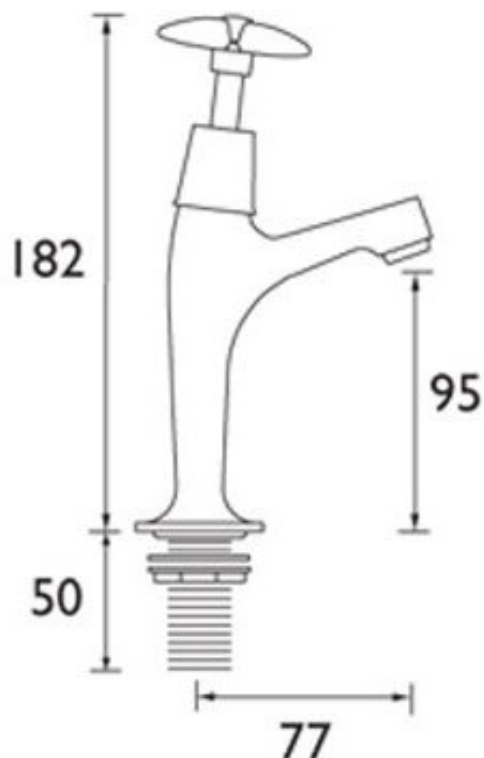


Cross Head Sink Taps



Product Code: XSTAP

Chrome plated cross head sink taps with a high neck. These cross-head taps are supplied in pairs and have a metal head and chrome plated brass body. Designed to give a higher spout dimension to allow more room in sink bowls and catering sinks. These sink taps are easy to use with wet hands and with a one years commercial use warranty offer good value for your money.

Delivery

Typically 2 to 3 working days

Tech Spec

High neck design suitable for sinks
Supplied in pairs
Metal head and brass body
½ inch standard valve and inlet
Metal back nuts
WRAS approved
1 year's manufacturer's warranty against defects
22mm tap holes required

**All pictures shown are for illustration purpose only and may be subject to change without notice. Actual product may vary due to product enhancement.
All dimensions shown are for guidance only and may be subject to change or alteration without notice. All items manufactured or purchased separately from a third party to fit our products should be checked against the actual dimensions of the physical product before purchase. We will not be liable for third party costs and consequential loss associated with the items not fitting third party components.**