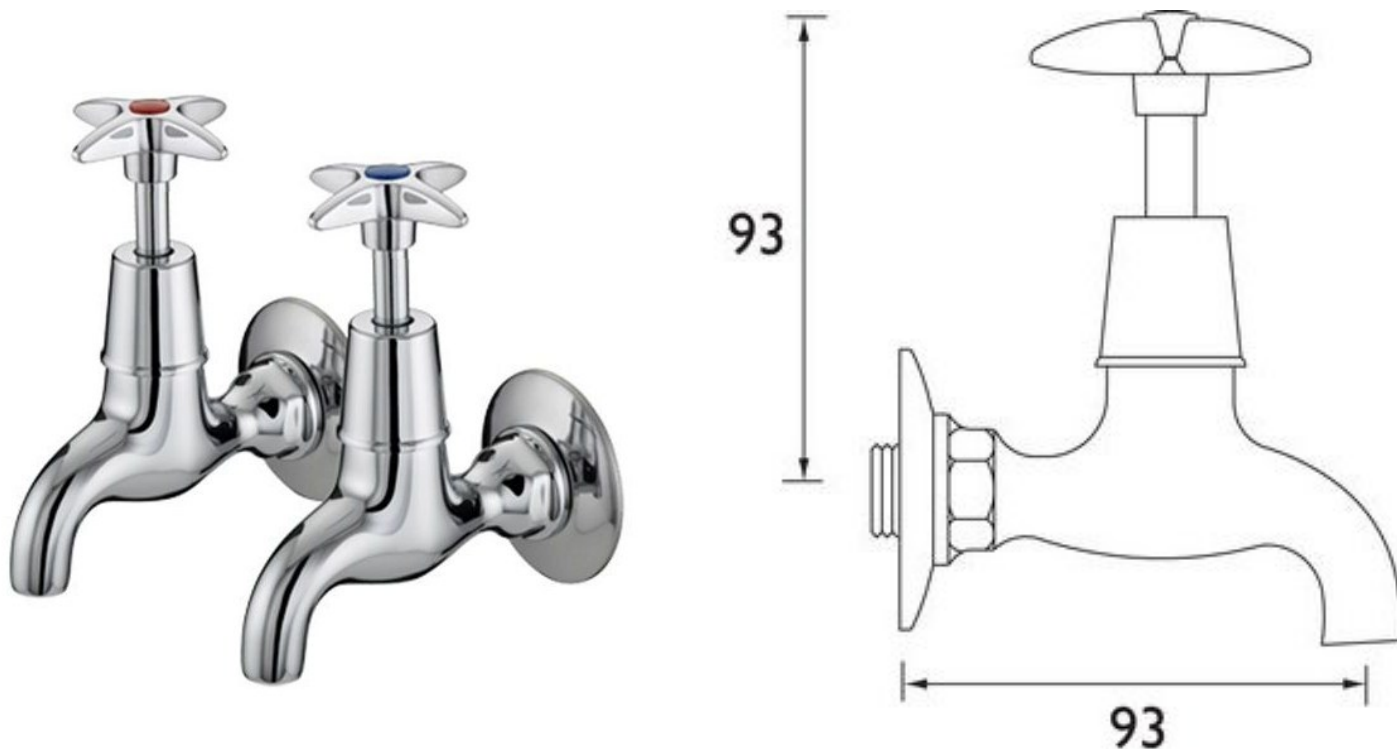


Cross Head Wall Mounted Bib Taps



Product Code: XHBIB

These cross-head chrome plated bib taps come supplied in pairs, and are chrome plated with a brass body. Designed to be wall mounted the cross head bib taps are often used above cleaners sinks to fill mop buckets. The ease of use make these bib taps ideal for school janitors rooms, cleaning and kitchen areas.

Delivery

Typically 1 to 2 working days

Tech Spec

Wall mounted taps
 Supplied in pairs
 Chrome plated brass body
 ½ inch valve and inlet
 Removable round wall plate
 WRAS approved
 1 year's manufacturer's warranty against defects

****All pictures shown are for illustration purpose only and may be subject to change without notice. Actual product may vary due to product enhancement. All dimensions shown are for guidance only and may be subject to change or alteration without notice. All items manufactured or purchased separately from a third party to fit our products should be checked against the actual dimensions of the physical product before purchase. We will not be liable for third party costs and consequential loss associated with the items not fitting third party components.****