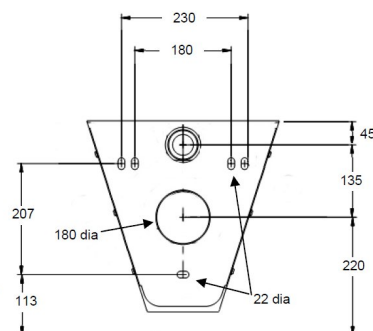
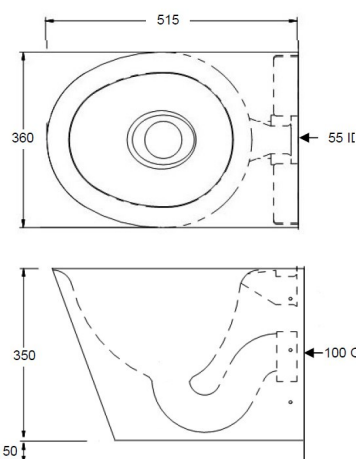


## Wall Hung Stainless Steel Toilet



Product Code: WHT

Our wall hung stainless steel toilets offer sturdiness, reliability and ease of maintenance in one cost-effective package. Stainless steel is famed not only for its toughness and resistance to corrosion, but also for being straightforward to clean and maintain. It's also highly resistant to vandalism.

This toilet can be installed onto an in-wall mounting frame or onto a duct wall; both methods result in a highly stable finish. The concealed cistern and minimalist design of these stainless steel wall hung toilets mean that they take up very little room, making them especially suited to school washrooms where space is at a premium.

Each stainless steel wall hung toilet can be supplied with or without a plastic cistern and black plastic seat; please see 'extras' for further details. You'll also be pleased to learn that these toilets satisfy the water usage requirements of both the Water Supply (Water Fittings) Regulations and the British Standard, which means they're also good for the environment.

### Delivery

From stock typically 1 to 2 working days

### Tech specs

Material: 1.6mm-thick stainless steel (satin polished)  
Width: 360mm  
Height: 350mm  
Depth (front to back): 515mm  
Outlet: 100mm (horizontal)  
Effective flush volume: 3 litres

### Extras

We can supply these wall hung stainless steel toilets with any of the following extras:

#### Seat and cover

Heavy duty seat with lid (black plastic, hinged)

#### Cisterns

Low level concealed plastic cistern with through-wall push button operation (also includes plastic flushpipe)

### Related products

We also sell [floor-mounted stainless steel toilets](#), and [close coupled stainless steel toilets which include an built-in cistern](#). Our toilet range also features [junior height](#) and [infant height back to wall toilets](#) and [close coupled junior](#) and [infant toilets](#) for nurseries, preschools and junior schools.

**\*\*All pictures shown are for illustration purpose only and may be subject to change without notice. Actual product may vary due to product enhancement. All dimensions shown are for guidance only and may be subject to change or alteration without notice. All items manufactured or purchased separately from a third party to fit our products should be checked against the actual dimensions of the physical product before purchase. We will not be liable for third party costs and consequential loss associated with the items not fitting third party components.\*\***