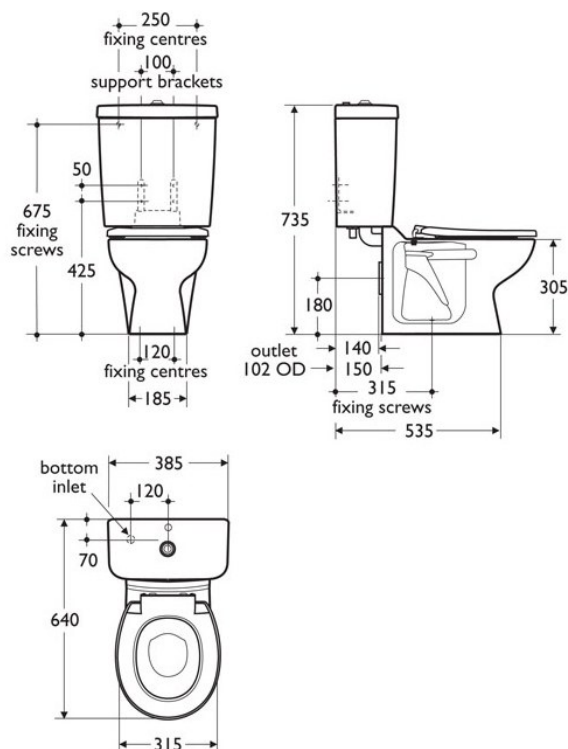


Infant Height Close Coupled WC Suite



Product Code: ASH-CCI

These Armitage Shanks close coupled infant toilets are specifically designed for use by children between the ages of three and six, making them perfect for infant schools, junior schools, creches and nurseries. Both the cistern and the WC itself are made from rugged vitreous china, which makes the unit both hygienic and easy to clean. These WCs can also help combat toilet anxiety, because they resemble the toilets your pupils are likely to use at home.

The unit is designed to be mounted against a wall and fixed to the floor using screws via a concealed bracket, while the integrated six litre cistern means you don't have to worry about installing a cistern separately. You can customise your close coupled infant toilet with a plastic seat, with or without a lid; both are available in a choice of four child friendly colours. The seat can also be fixed in the downward position for safety reasons.

The cistern comes with a push button flush, but can also be supplied with a side action lever if desired.

Delivery

To order typically 5 to 7 working days

Tech specs

Material: white vitreous china
Width: 330mm
Height (including cistern): 735mm
Height (excluding cistern): 305mm
Depth (front to back): 645mm
Effective flush volume: 6 litres

Extras

You can tailor this close coupled infant height toilet to the needs of your pupils with the accessories below:

Seat

Hinged plastic seat (available in red, white, blue and black)

Seat and cover

Hinged plastic seat and cover (available in red, white, blue and black)

Lever flush

Side action spatula-style lever

Related products

Our range of infant height toilets also includes [back to wall designs](#), which can be used in conjunction with a concealed cistern to save space. We also sell [back to wall](#) and [close coupled junior height toilets](#), which are designed for children between the ages of 7 and 11.

Once you've decided on a toilet, you may wish to view our handwash range, which includes a [solid surface junior height trough sink](#).

****All pictures shown are for illustration purpose only and may be subject to change without notice. Actual product may vary due to product enhancement. All dimensions shown are for guidance only and may be subject to change or alteration without notice. All items manufactured or purchased separately from a third party to fit our products should be checked against the actual dimensions of the physical product before purchase. We will not be liable for third party costs and consequential loss associated with the items not fitting third party components.****