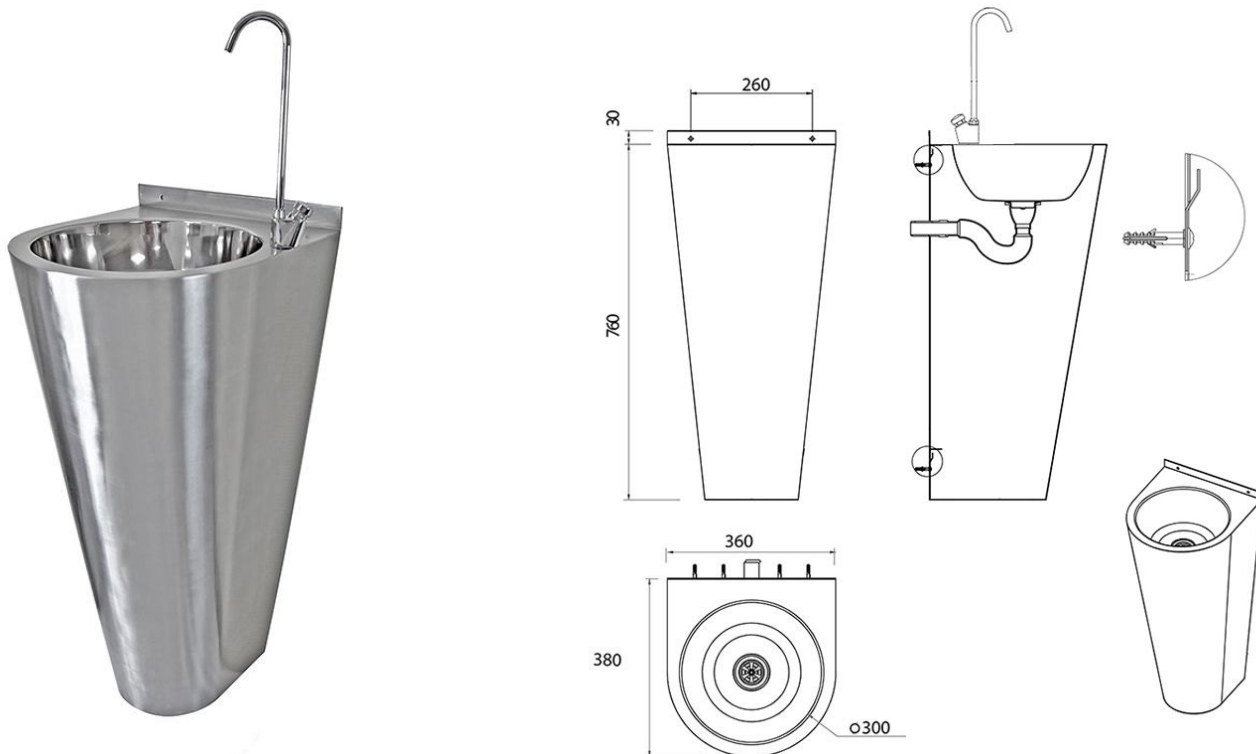


Floorstanding Junior Height Bottle Filling Fountain



Product Code: FSBFF-J

Do your bit to help save the planet with reusable bottle/cup fillers - our range of bottle filling stations are ideal for installation in schools and nurseries as they are manufactured at a height suitable for children. Our stainless steel bottle filler offers vandal resistance and the rounded front provides safety for users whilst the full height shroud allows for the water pipes to be concealed.

Supplied with a WRAS approved swan neck bottle/cup filler spout with push button operation. Fitted with a self closing timed flow valve and high polish bowl to stop splashing and help prevent any potential wasted water. Complete with integrated wall fixing brackets, these bottle fillers are compact to be installed in suitable locations.

Delivery

Typically 1 to 2 working days

Next working day delivery available for orders placed before 11.30am (at extra cost to standard delivery)

Tech specs

Material: satin finish stainless steel (304 grade, 1.6mm thick)

Width: 360mm

Depth (front to back): 380mm

Height (top to bottom): Junior height 760mm

Rear upstand: 30mm

Waste fittings: 32mm flush grated

Related products

Our junior combined bottle filler and drinking fountains are also available in [adult dimensions](#), perfect secondary school, colleges and academy's.

**All pictures shown are for illustration purpose only and may be subject to change without notice. Actual product may vary due to product enhancement.

All dimensions shown are for guidance only and may be subject to change or alteration without notice. All items manufactured or purchased separately from a third party to fit our products should be checked against the actual dimensions of the physical product before purchase. We will not be liable for third party costs and consequential loss associated with the items not fitting third party components.**