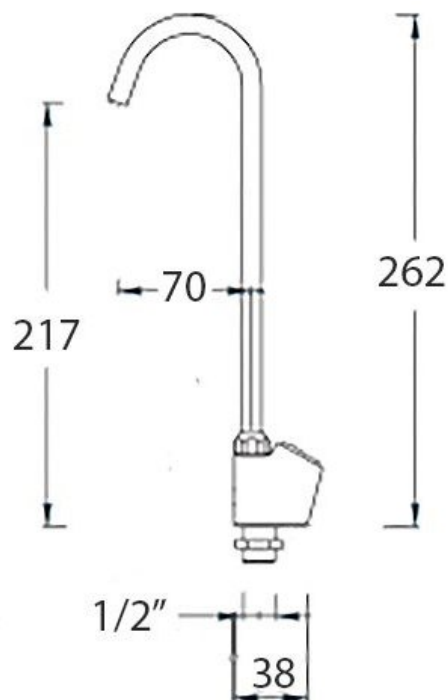


## Handsfree Swan Neck Cup And Filler



Product Code: HANDSFREE\_BOTTLEFILLER

Chrome plated brass handsfree swan neck bottle and cup filler. WRAS approved to comply with local authority by-laws. For use with our drinking fountains and bottle filling fountains or as a replacement for your own drinking fountains, must be used with a foot pedal.

### Delivery

Typically 1 to 3 working days.

### Tech specs

1/2" BSP tail.

1/2" BSP brass back nut and rubber washer.

\*\*All pictures shown are for illustration purpose only and may be subject to change without notice. Actual product may vary due to product enhancement.

All dimensions shown are for guidance only and may be subject to change or alteration without notice. All items manufactured or purchased separately from a third party to fit our products should be checked against the actual dimensions of the physical product before purchase. We will not be liable for third party costs and consequential loss associated with the items not fitting third party components.\*\*