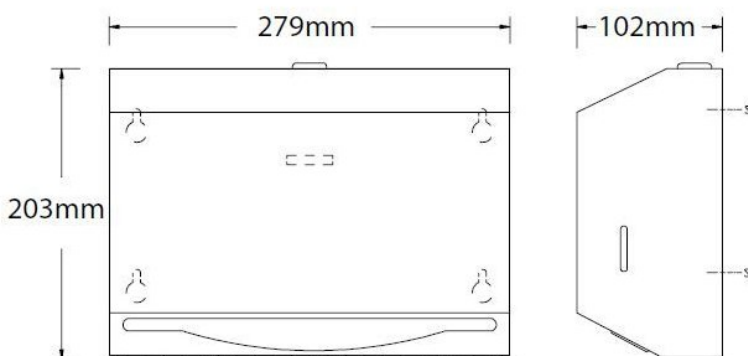


Stainless Steel Small Paper Towel Dispenser



Product Code: PTD-S

These small stainless steel paper towel dispensers are manufactured from grade 304 stainless steel with a satin finish.

This hand towel dispenser is designed to be fitted to the wall and features a hemmed opening to prevent tearing of the paper towels or injury to the user.

The door has a hinge with a key lock for security.

The small paper towel dispenser dispenses C-fold and multi fold paper towels and is ideal for areas with limited space.

Delivery

Typically 1 to 2 working days

Tech Spec

Material: Grade 304 stainless steel

Width: 279mm

Height: 203mm

Depth (Front to Back): 102mm

Capacity: 200 C fold or 275 multi fold paper towels (79mm to 97mm deep)

Related Products

We offer a full range of stainless steel [paper towel dispensers](#).

****All pictures shown are for illustration purpose only and may be subject to change without notice. Actual product may vary due to product enhancement.**

All dimensions shown are for guidance only and may be subject to change or alteration without notice. All items manufactured or purchased separately from a third party to fit our products should be checked against the actual dimensions of the physical product before purchase. We will not be liable for third party costs and consequential loss associated with the items not fitting third party components.**