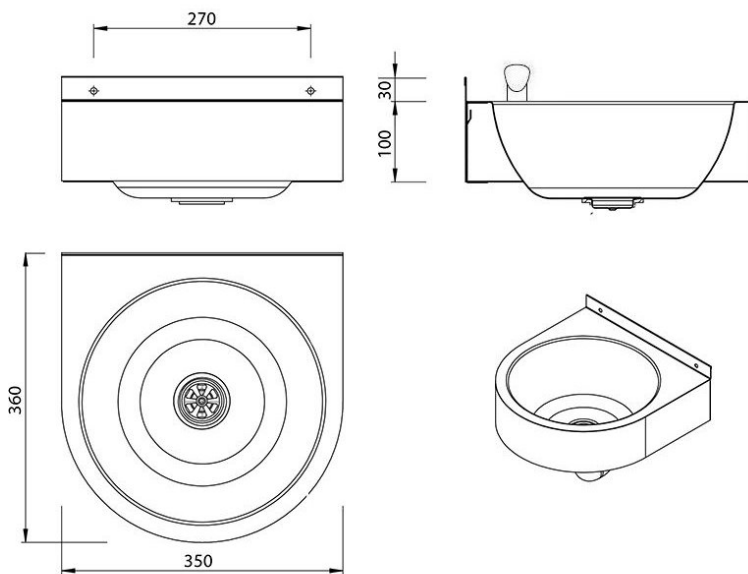


## Round Wash Basin



Product Code: RWB

The rounded front wash basin is ideal for schools where the round front design offers a safer edge for use by children. The deeper bowl helps prevent splashing and aids in keeping water off of the floor.

The wash basin is manufactured from stainless steel and polished to a satin finish.

The wash hand basin is supplied with a concealed wall fixing bracket and lower wall fixing holes to prevent the basin being lifted off the bracket. The round front basin can be supplied with no, one or two tapholes to suit your requirements and is supplied complete with a 32mm flush grated waste fitting.

### Delivery

From stock typically 1 to 2 working days

### Tech Spec

Material grade 304 stainless steel

Width: 350mm

Front to Back: 360mm

Depth: 130mm

No, one or two 22mm tap holes

Complete with 32mm flush grated waste fitting (no overflow, plug or chain)

No overflow conforms to HTM64 and HBN 00-10 regulations.

Please note previous version had a bright polished bowl.

### Extras

#### Taps

[Time-flow taps](#)

[Lever-operated mixer taps](#)

[Infrared taps](#)

A wide selection of alternative [taps](#) are available to suit your requirements

#### Traps

Plastic [32mm bottle trap](#)

Brass [bottle trap, chrome-plated with chrome flange and waste pipe](#)

## Related products

[Inset wash basins](#) are available if you require countertop mounted basins, or [wall hung basins](#) are available in a variety of sizes and shapes. [Trough sinks](#) are becoming a popular choice in school wash rooms and can be supplied in stainless steel or [solid surface Corian designs](#).

\*\*All pictures shown are for illustration purpose only and may be subject to change without notice. Actual product may vary due to product enhancement. All dimensions shown are for guidance only and may be subject to change or alteration without notice. All items manufactured or purchased separately from a third party to fit our products should be checked against the actual dimensions of the physical product before purchase. We will not be liable for third party costs and consequential loss associated with the items not fitting third party components.\*\*