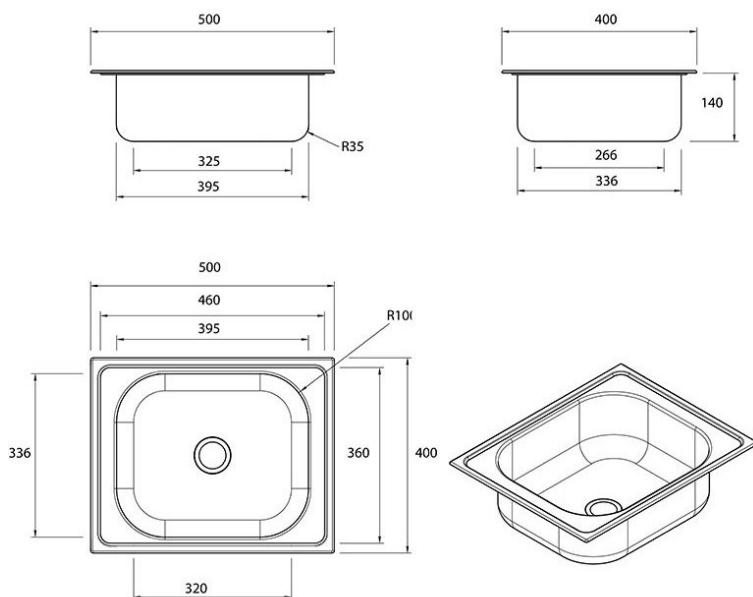


Stainless Steel Inset Wash Basin



Product Code: INSETWB

This inset wash basin is manufactured in one-piece from stainless steel and is supplied with two pre-drilled tap holes.

Designed for mounting into worktops up to 50mm thick, and is supplied with a 32mm flush grated waste fitting (no overflow, plug or chain).

This inset basin incorporates the tap holes within the basin to help prevent water on the worktop and allows hand washing under running water.

Delivery

Typically 1 to 2 working days

Tech Spec

Width: 500mm

Front to back: 400mm

Depth: 140mm

Supplied with fixing clips and water seal

Extras

Taps

[Time-flow taps](#)

[Lever-operated mixer taps](#)

[Infrared basin taps](#)

We have a full selection of [taps](#) available to suit your requirements

Traps

McAlpine-brand [plastic 32mm bottle trap](#)

Related products

We can also supply a selection of alternative [inset wash basins](#), or alternatively [wall mounted hand wash basins](#).

****All pictures shown are for illustration purpose only and may be subject to change without notice. Actual product may vary due to product enhancement.**

All dimensions shown are for guidance only and may be subject to change or alteration without notice. All items manufactured or purchased separately from a third party to fit our products should be checked against the actual dimensions of the physical product before purchase. We will not be liable for third party costs and consequential loss associated with the items not fitting third party components.**