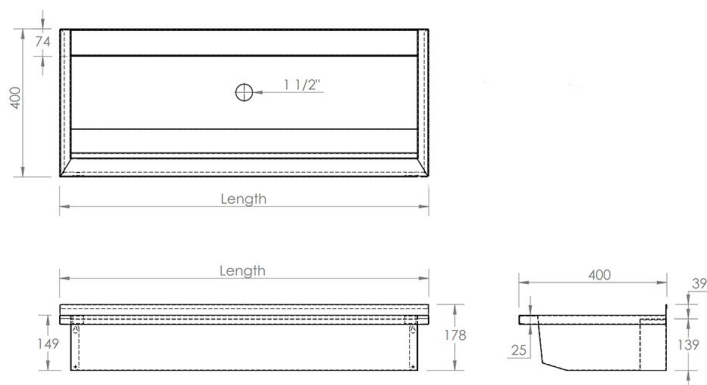


Sit On Stainless Steel Wash Trough



Product Code: SOSSWT

Our stainless steel sit-on trough sinks can be fitted onto a 400mm vanity unit (not included), giving a stylish, contemporary finish to any school washroom. Thanks to the hardwearing stainless steel construction, they're easy to clean and maintain and are vandal-resistant.

Bespoke sizes can be made on request. All Sit-on trough sinks come with a 38mm waste fitting. They can also be supplied with appropriate [taps](#) and [traps](#).

Delivery

Standard sizes 2 - 3 working days
Made to order currently 10 - 15 working days

Tech specs

Material: 1.5mm thick stainless steel
Eight standard lengths: 500mm, 800mm, 1000mm, 1200mm, 1500mm, 1800mm, 2000mm and 2400mm
Depth (front to back): 400mm
Depth: 150mm deep with 25mm splashback
Waste fitting: Centre 38mm, flush-grated waste

Extras

You can buy the following optional extras to fit each of our sit-on wash trough sinks:

Taps
[Time-flow taps](#)
[Lever-operated mixer taps](#)

[Infrared basin taps](#)

Traps
McAlpine-brand [plastic bottle trap \(38mm\)](#)
[Brass bottle trap, chrome-plated with chrome flange and waste pipe](#)

Miscellaneous
Stainless steel deck or wall mounted [soap dispensers](#)
[Paper towel dispensers](#) in stainless steel
Front support legs in stainless steel

We recommend that you install a [thermostatic water mixing valve \(TMV3\)](#) on all inset school trough sinks in order to maintain a safe hand-washing water temperature.

Related products

Whatever your installation requirements, we're bound to have the perfect trough sink for your washroom. In addition to our inset designs, we also sell [incline trough sinks](#), wall-mounted [trough sinks in stainless steel](#), [solid surface finishes](#), and [sit-on trough sinks](#) (also available in [junior sizes](#)). Head over to our trough sinks pages to see the full list of options.

****All pictures shown are for illustration purpose only and may be subject to change without notice. Actual product may vary due to product enhancement. All dimensions shown are for guidance only and may be subject to change or alteration without notice. All items manufactured or purchased separately from a third party to fit our products should be checked against the actual dimensions of the physical product before purchase. We will not be liable for third party costs and consequential loss associated with the items not fitting third party components.****