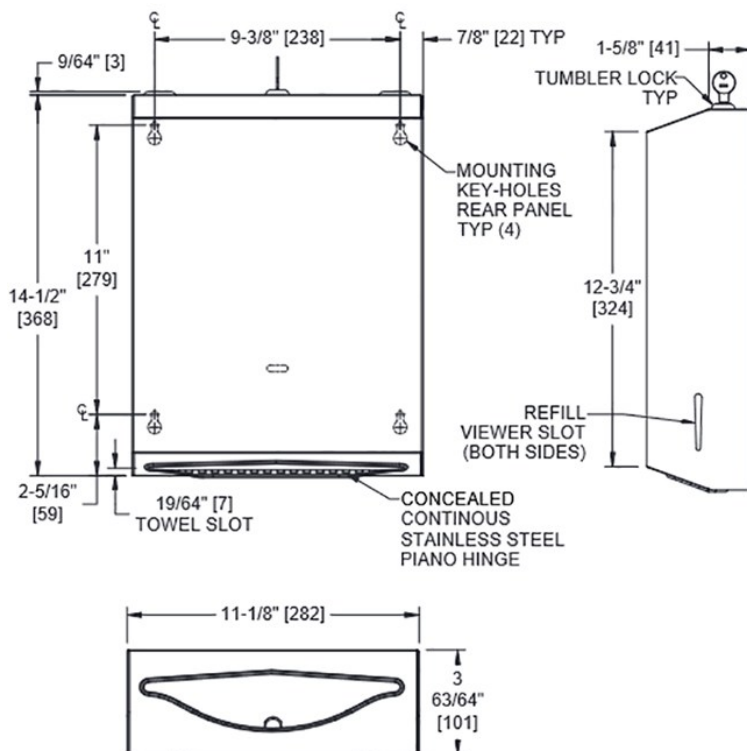


## Stainless Steel Large Paper Towel Dispenser



Product Code: PTD-L

These stainless steel paper towel dispensers are manufactured from grade 304 stainless steel with a satin finish.

This hand towel dispenser is designed to be fitted to the wall and features a hemmed opening to prevent injury and tearing of the paper towels. The door hinge and is secured with a key lock.

### Delivery

Typically 1 to 2 working days

### Tech Spec

Material: Grade 304 stainless steel  
 Width: 282mm wide  
 Height: 368mm high  
 Depth (Front to Back): 101mm  
 Visual level indicator to the sides

### Related Products

We offer a full range of stainless steel washroom accessories to compliment the [paper towel dispensers](#) for your school washroom projects.

\*\*All pictures shown are for illustration purpose only and may be subject to change without notice. Actual product may vary due to product enhancement. All dimensions shown are for guidance only and may be subject to change or alteration without notice. All items manufactured or purchased separately from a third party to fit our products should be checked against the actual dimensions of the physical product before purchase. We will not be liable for third party costs and consequential loss associated with the items not fitting third party components.\*\*