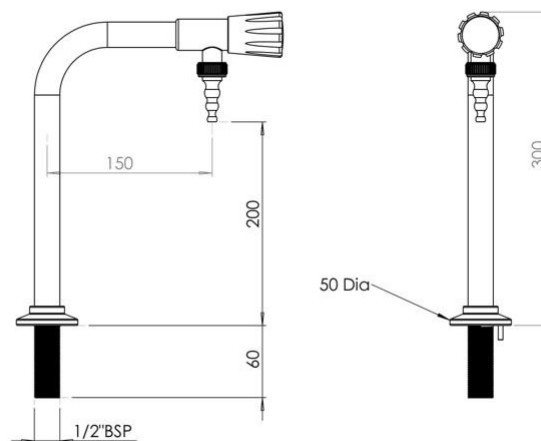
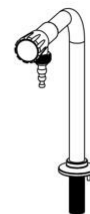


Pillar Laboratory Tap



Product Code: ARB-PLBTAP

The pillar laboratory tap is an ideal water supply for classrooms, manufactured from solid brass with a strengthened shank, a removable nozzle and integral anti-rotation pin, making it more durable.

The tap is coated in Ral 9016 Rilsan plastic and comes complete with chemical resistant plastic ABS handwheel.

Delivery

From stock usually 3 to 5 working days.

Tech Spec

1/2" BSP male flat ended shank x 60mm long with back nut

Comes as standard with an anti-rotation base with location pin

2 x tap holes required 1 x 22mm tap hole and 1 x 5mm for the anti-rotation pin, a template is supplied with the tap

Maximum pressure: 100PSI (Recommended 20PSI)

Flow rate: 20PSI = 12 Litre/min

WRAS approved

Pillar laboratory tap for all applications where a header tank supply is present

****All pictures shown are for illustration purpose only and may be subject to change without notice. Actual product may vary due to product enhancement.**

All dimensions shown are for guidance only and may be subject to change or alteration without notice. All items manufactured or purchased separately from a third party to fit our products should be checked against the actual dimensions of the physical product before purchase. We will not be liable for third party costs and consequential loss associated with the items not fitting third party components.**