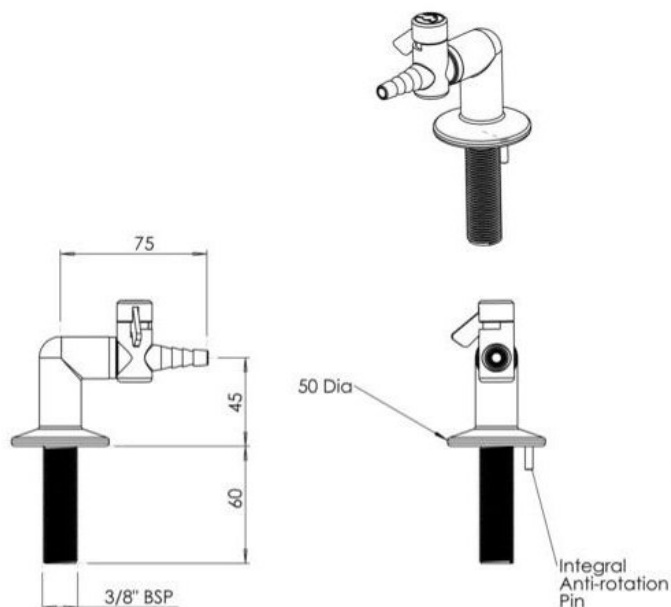


## One Way Bench Mounted Gas Tap



Drilling template included.

Product Code: ARB-GTAP

The one way bench mounted gas tap is constructed from solid brass and coated in a Rilsan plastic approx. 250 to 300 microns thick. This very popular tap is used in labs and particularly popular in the education sector.

This gas tap is for use with bunsen burner type applications and is suitable for both natural and LPG gas applications.

### Delivery

From stock usually 3 to 5 working days.

### Tech Spec

3/8" BSP male flat ended shank x 60mm long with back nut.

Comes as standard with an anti-rotation base with location pin.

2 holes required 1 x 17mm tap hole and 1 x 5mm for the anti-rotation pin, a template is supplied with the tap.

Can be used with natural and LPG gases.

Maximum pressure: 20 - 25Mbar.

Flow rate: 20Mbar = 1 Cubic meter/hour per nozzle.

The appliance should be used to size pipe work not the gas valve.

**British Gas/BSI certified.**

**Please note these items should only be installed by a person competent to do so.**

**\*\*All pictures shown are for illustration purpose only and may be subject to change without notice. Actual product may vary due to product enhancement.**

**All dimensions shown are for guidance only and may be subject to change or alteration without notice. All items manufactured or purchased separately from a third party to fit our products should be checked against the actual dimensions of the physical product before purchase. We will not be liable for third party costs and consequential loss associated with the items not fitting third party components.\*\***