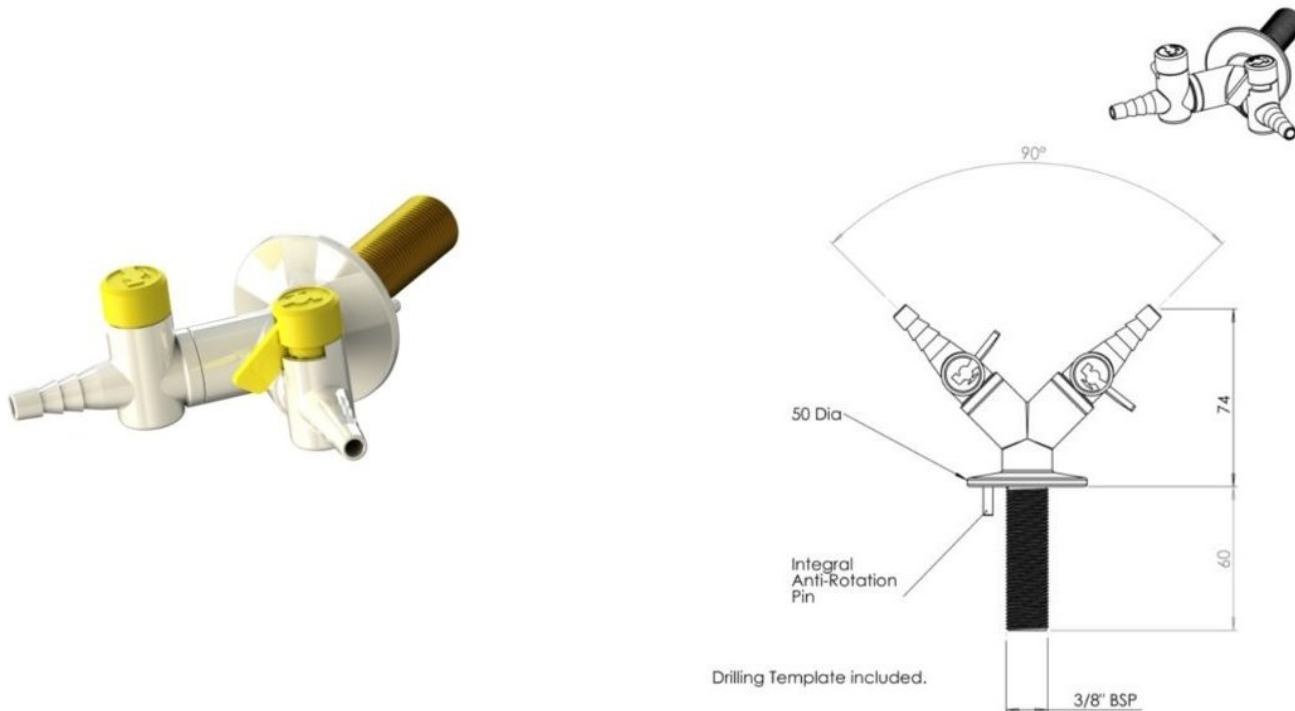


## Two Way Wall Mounted Gas Tap



Product Code: ARB-2WGTAP

Two way wall mounted lab gas tap with high visibility drop levers in yellow, allowing them to be quickly identified if left on, for this reason they are very popular in schools and in a wide range of lab settings thanks to the advanced safety features.

These taps are British Gas/BSI certified. **Please note these items should only be installed by a person competent to do so.**

### Delivery

From stock usually 3 to 5 working days.

### Tech Spec

Wall mounted.

3/8" BSP male flat ended shank x 60mm long with back nut.

Comes as standard with an anti-rotation pin.

2 holes required 1 x 17mm tap hole and 1 x 5mm for the anti-rotation pin, a template is supplied with the tap.

Can be used with natural and LPG Gases.

Maximum pressure: 20 - 25Mbar.

Flow rate: 20Mbar = 1 Cubic meter/hour per nozzle.

The appliance should be used to size pipe work not the gas valve.

All brass body, coated in Rilsan plastic, which is self-extinguishable low flammability.

Body colour is (Ral 9016) White.

**\*\*All pictures shown are for illustration purpose only and may be subject to change without notice. Actual product may vary due to product enhancement.**

**All dimensions shown are for guidance only and may be subject to change or alteration without notice. All items manufactured or purchased separately from a third party to fit our products should be checked against the actual dimensions of the physical product before purchase. We will not be liable for third party costs and consequential loss associated with the items not fitting third party components.\*\***