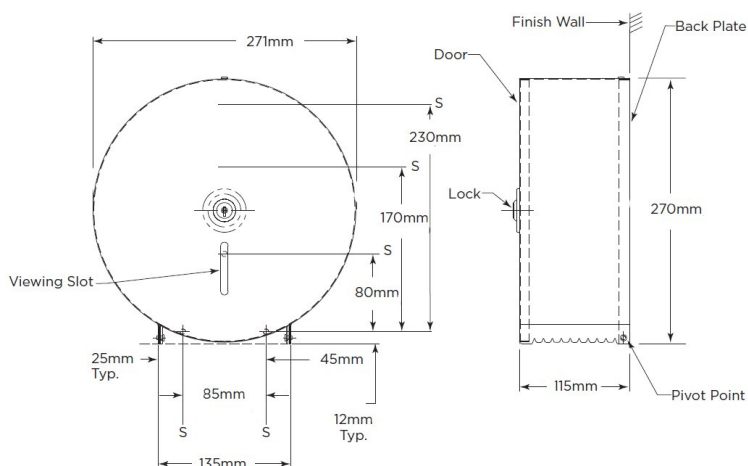


Bobrick Mini Jumbo Toilet Roll Holder



Product Code: B-2890

Bobrick mini jumbo toilet roll holder. The mini jumbo toilet roll holders are manufactured from stainless steel for use in busy toilets. Manufactured with a 271mm diameter to accommodate up to 255mm diameter toilet rolls it is still large enough to reduce the maintenance time but not take up too much space in the toilet cubicle.

Ideal for busier toilet areas to prevent downtime and reduce maintenance time.

Delivery

From stock typically 1 to 2 working days

Tech Spec

Diameter: 271mm
Depth: 115mm
Stainless steel with a brushed finish
Max diameter toilet roll 255mm
Visual level indicator
Hinged refilling door with lock
1 1/2" to 3" inch core size toilet rolls

**All pictures shown are for illustration purpose only and may be subject to change without notice. Actual product may vary due to product enhancement.
All dimensions shown are for guidance only and may be subject to change or alteration without notice. All items manufactured or purchased separately from a third party to fit our products should be checked against the actual dimensions of the physical product before purchase. We will not be liable for third party costs and consequential loss associated with the items not fitting third party components.**