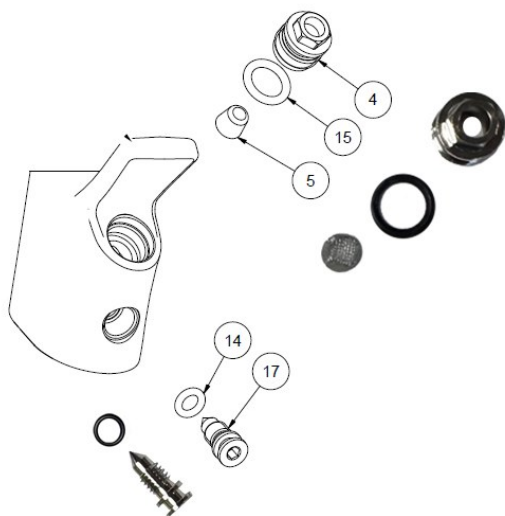


## Bubbler Body Repair Kit

POS.	DESCRIPTION	FILE NAME	MATERIAL	QTY
4	Nozzle	MIN004370000TRN	CW617N-UNI-EN-12164	1
5	Filter	FIL004340020STP	AISI304	1
14	O-ring 2018 04.48x1,78	GOR002720051STP	EPDM	1
15	O-ring Ø8,5x2	GOR002800051STP	EPDM	1
17	Flow adjuster	VIT015940009TRN	CW617N-UNI-EN-12164	1



Product Code: BUB-REPAIR

Replacement fittings to suit the body of our drinking fountain bubbler.

### Delivery

From stock 1 to 2 working days

### Tech Specs

Outlet  
O ring  
Outlet mesh strainer  
Adjuster screw  
O ring

[Replacement buttons and cartridges](#) are also available.

\*\*All pictures shown are for illustration purpose only and may be subject to change without notice. Actual product may vary due to product enhancement.  
All dimensions shown are for guidance only and may be subject to change or alteration without notice. All items manufactured or purchased separately from a third party to fit our products should be checked against the actual dimensions of the physical product before purchase. We will not be liable for third party costs and consequential loss associated with the items not fitting third party components.\*\*